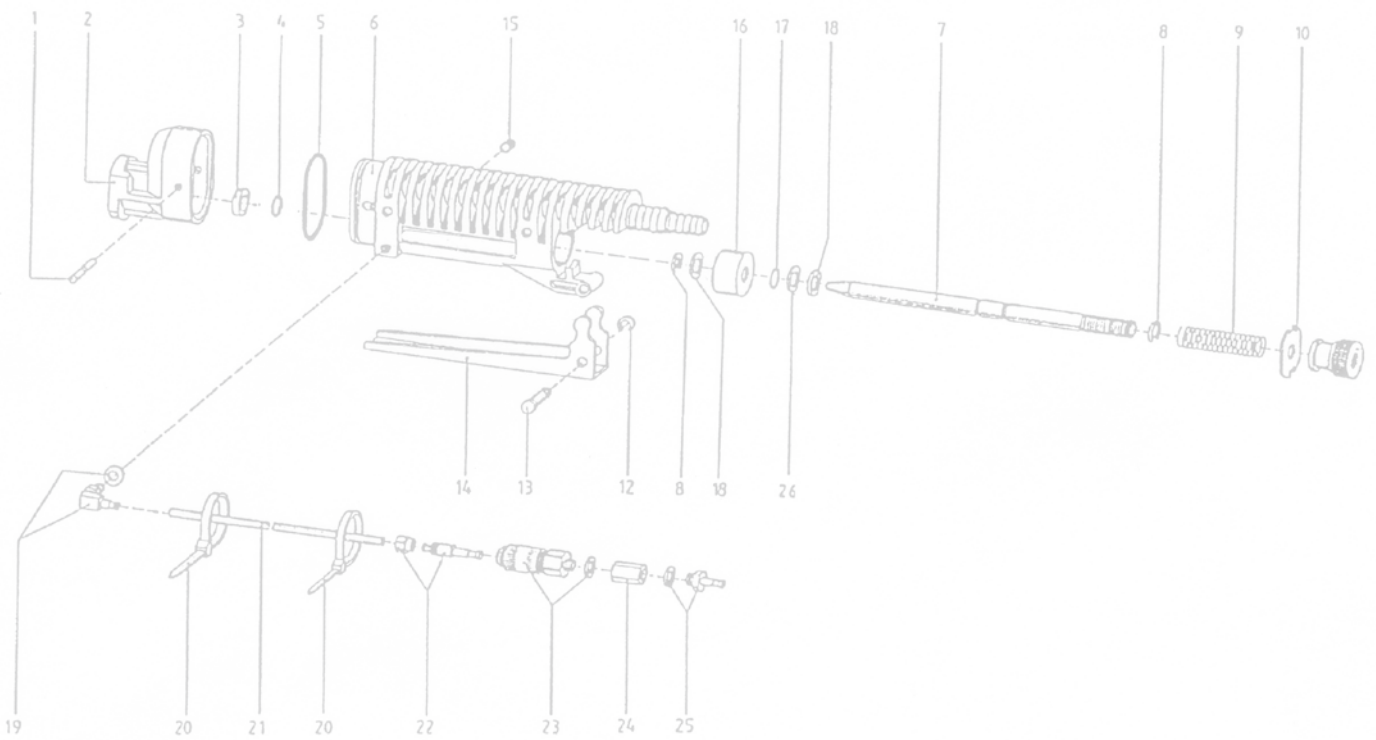




Spare parts

LK Glue application-System

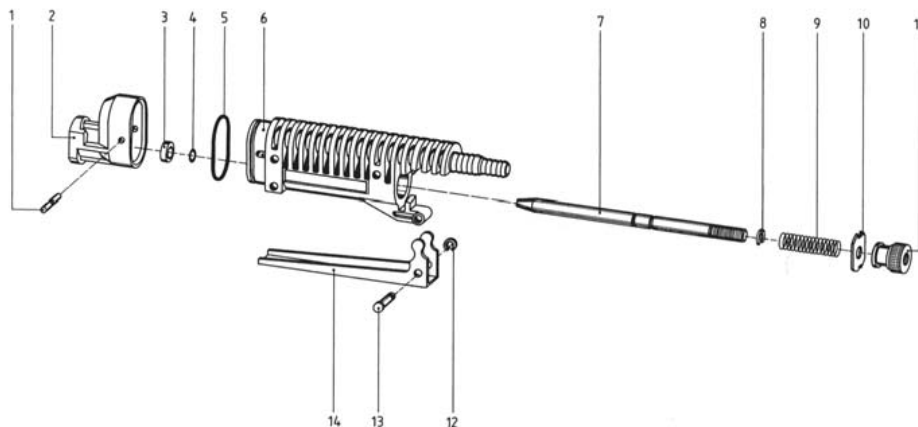


Remarks: Lamello has made – and will continue to make – great efforts to provide and up-to-date information. However, we cannot guarantee that the information contained here is accurate or complete. We reserved the right to carry out technical modifications at any time without prior notice. Our general terms and conditions of sale are applicable.

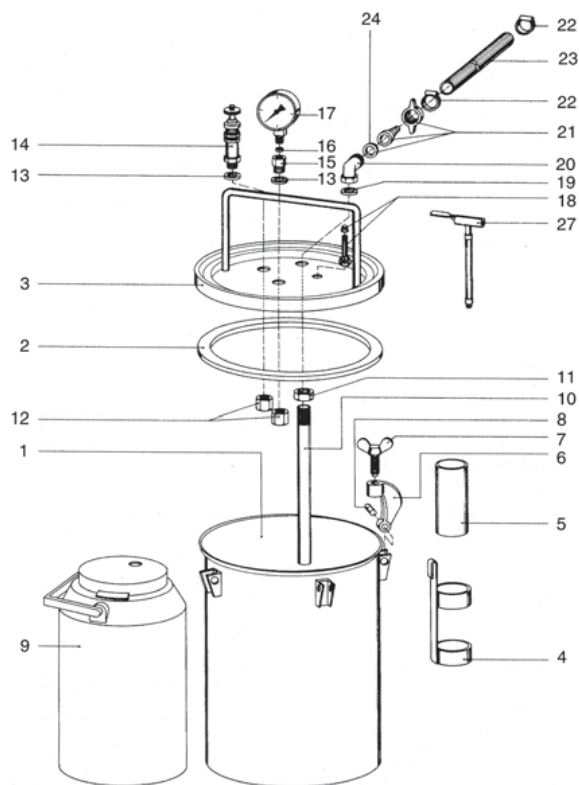


Spare Parts LK Glue application-System

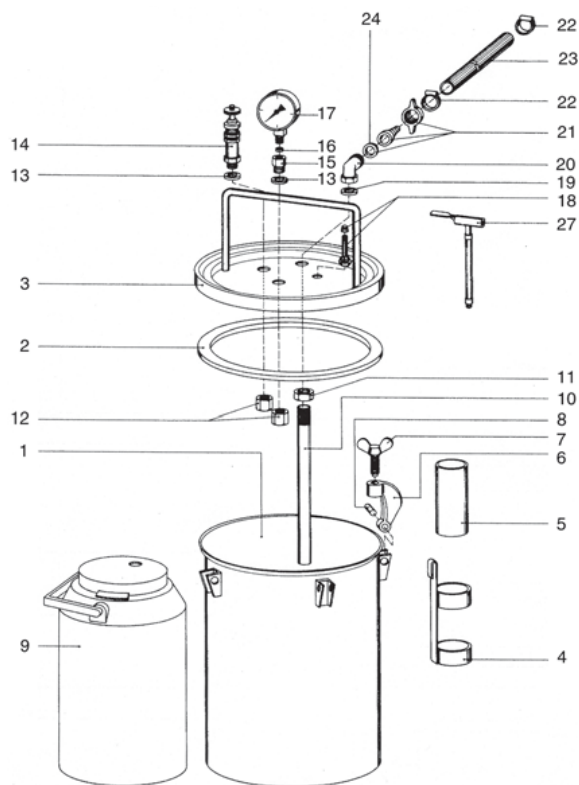
LK 0	4
LK 3	5
LK 5	6
LK 10	7
LK 100	8
LK 102	9
LK 110	10
LK 0 PUR	11
LK 5 PUR	12



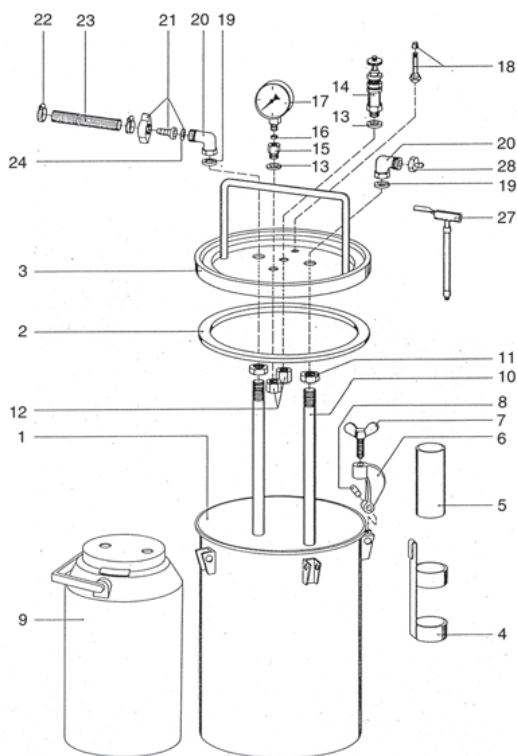
Pos.	Description	Art. No.
3, 4, 5	Set of joint	55 2220
1, 2, 3, 4, 5, 7, 8	Set of repair	55 2221
1	Pin	55 2201
2	Pistol head	55 2202
3	Joint	55 2203
4	Sealing ring 6,07x1,78	55 2204
5	Sealing ring 26x2	55 2205
6	Housing	55 2206
7	Needle	55 2207
8	Locking disk 4	55 2208
9	Compression spring 40x10x1,7	55 2209
10	Plate	55 2210
11	Metering nut	55 2211
12	Locking disk 2,3	55 2212
13	Bolt	55 2213
14	Lever	55 2214



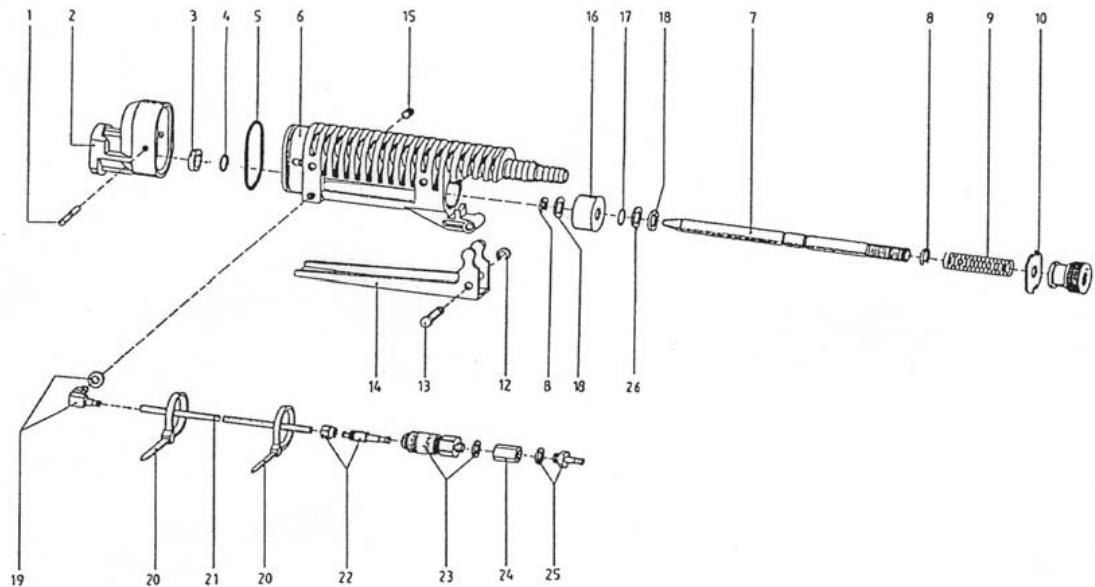
Pos.	Description	Art. No.
1-27	Glue applying apparatus LK-3	50 2003
12, 13, 14	Safety valve complete	55 2002
12, 13, 15, 16, 17	Manometer complete	55 2003
2, 3, 10-20	Cover complete	55 2007
4, 5	Water reservoir complete	53 3260
21-23	Standard hose complete	53 3215
1	Pressure tank	55 2009
2	Joint ring 190/210x7	55 2012
3	Cover	55 2011
4	Water reservoir holder	55 2024
5	Bottle Ø 62/60	55 2025
6	Clamping clip	55 2026
7	Thumb screw	55 2027
8	Slotted pin	55 2028
9	Empty glue container	53 3224
10	Lifting tube	55 2031
11	Hexagonal nut 3/8"	55 2021
12	Counter nut SW 19	55 2022
13	Joint Ø 13/19x2	55 2052
14	Safety valve 5 bar	55 2013
15	Manometer connection	55 2016
16	Joint Ø 5/11x3	55 2050
17	Manometer	55 2015
18	Rubber valve	55 2017
19	Joint Ø 17/22x3	55 2053
20	Connection bend	55 2018
21	Hose connection 1/2"x10	55 2019
22	Hose clip	55 2020
23	Standard hose per metre Ø 10/16	55 3210
24	Joint Ø 11/18x2	55 2054
27	Pump hose	55 2029



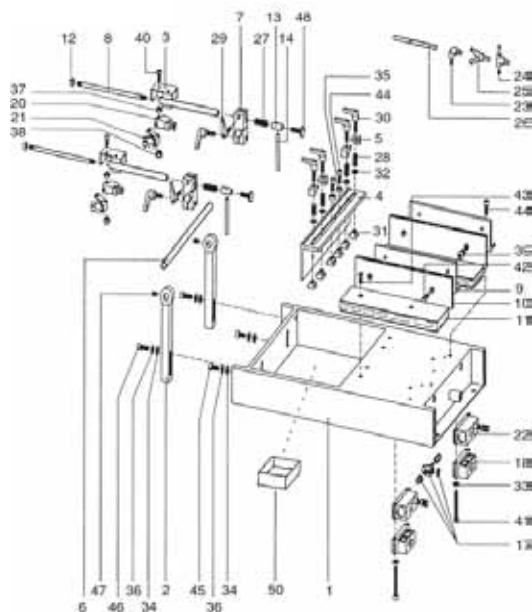
Pos.	Description	Art. No.
1 - 27	Glue applying apparatus LK-5	50 2005
12, 13, 14	Safety valve complete	55 2002
12, 13, 15, 16, 17	Manometer complete	55 2003
2, 3, 10-20	Cover complete	55 2001
4, 5	Water reservoir complete	53 3260
21-23	Standard hose complete	53 3215
1	Pressure tank	55 2010
2	Joint ring 190/210x7	55 2012
3	Cover	55 2011
4	Water reservoir holder	55 2024
5	Bottle Ø 62/60	55 2025
6	Clamping clip	55 2026
7	Thumb screw	55 2027
8	Slotted pin	55 2028
9	Empty glue container	53 3225
10	Lifting tube	55 2023
11	Hexagonal nut 3/8"	55 2021
12	Counter nut SW 19	55 2022
13	Joint Ø 13/19x2	55 2052
14	Safety valve 5 bar	55 2013
15	Manometer connection	55 2016
16	Joint Ø 5/11x3	55 2050
17	Manometer	55 2015
18	Rubber valve	55 2017
19	Joint Ø 17/22x3	55 2053
20	Connection bend	55 2018
21	Hose connection 1/2"x10	55 2019
22	Hose clip	55 2020
23	Standard hose per metre Ø 10/16	55 3210
24	Joint Ø 11/18x2	55 2054
27	Pump hose	55 2029



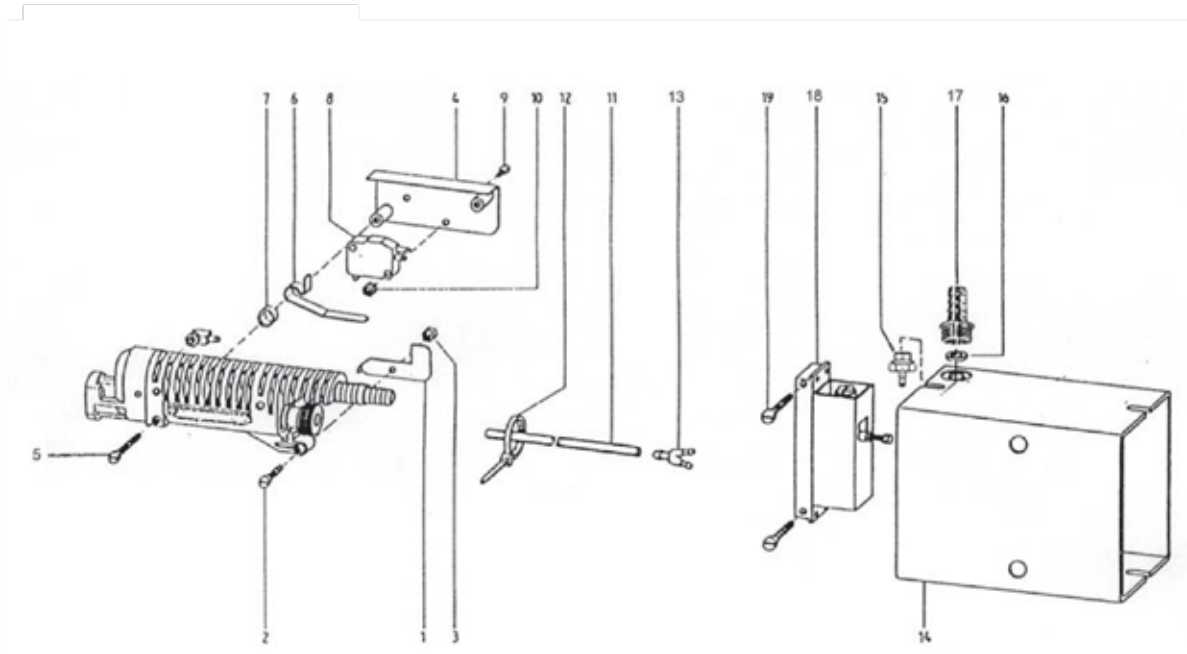
Pos.	Description	Art. No.
1 - 27	Glue applying apparatus LK-10	50 2010
12, 13, 14	Safety valve complete	55 2002
12, 13, 15, 16, 17	Manometer complete	55 2003
2, 3, 10-20	Cover complete	55 2040
4, 5	Water reservoir complete	53 3260
21-23	Standard hose complete	53 3215
1	Pressure tank	55 2041
2	Joint ring 262/293x12	55 2043
3	Cover	55 2042
4	Water reservoir holder	55 2024
5	Bottle Ø 62/60	55 2025
6	Clamping clip	55 2026
7	Thumb screw	55 2027
8	Slotted pin	55 2028
9	Empty glue container	53 3226
10	Lifting tube	55 2044
11	Hexagonal nut 3/8"	55 2021
12	Counter nut SW 19	55 2022
13	Joint Ø 13/19x2	55 2052
14	Safety valve 5 bar	55 2013
15	Manometer connection	55 2016
16	Joint Ø 5/11x3	55 2050
17	Manometer	55 2015
18	Rubber valve	55 2017
19	Joint Ø 17/22x3	55 2053
20	Connection bend	55 2018
21	Hose connection 1/2"x10	55 2019
22	Hose clip	55 2020
23	Standard hose per metre Ø 10/16	55 3210
24	Joint Ø 11/18x2	55 2054
27	Pump hose	55 2029
28	Locking cap	55 2045



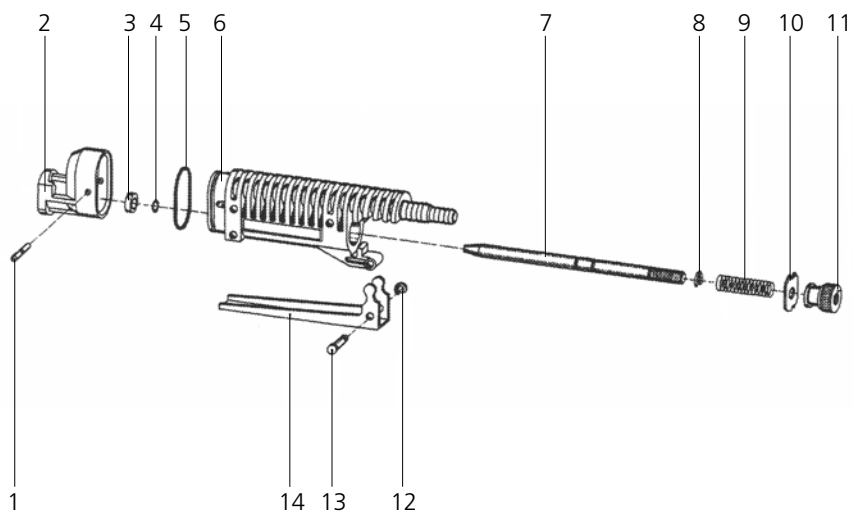
Pos.	Description	Art. No.
3,4,5,16,17	Set of joint	55 2222
1,2,3,4,5,7,8, 16,17,18,26	Set of repair	55 2223
1	Pin	55 2201
2	Pistol head	55 2202
3	Joint	55 2203
4	Sealing ring 6,07x1,78	55 2204
5	Sealing ring 26x2	55 2205
6	Pneumatic housing	55 2230
7	Needle	55 2207
8	Locking disk 4	55 2208
9	Compression spring 40x10x1,7	55 2209
10	Plate	55 2210
11	Metering nut	55 2211
12	Locking disk 2,3	55 2212
13	Bolt	55 2213
14	Lever	55 2214
15	Screwed pin M5x6	55 4052
16	Cup packing 20/6x10	55 2231
17	Sealing ring 5,28x1,78	55 2232
18	Wheel 6,4/12x1,6	55 2234
19	Nipple screwing	55 2241
20	Cable clamp 2,5x100	55 2242
21	Hose PU-3 blue	55 2243
22	Coupling plug	55 2244
23	Coupler socket	55 2245
24	Bushing	55 2246
25	Nipple	55 2247
26	Wheel 8,4/16x1,6	55 2233



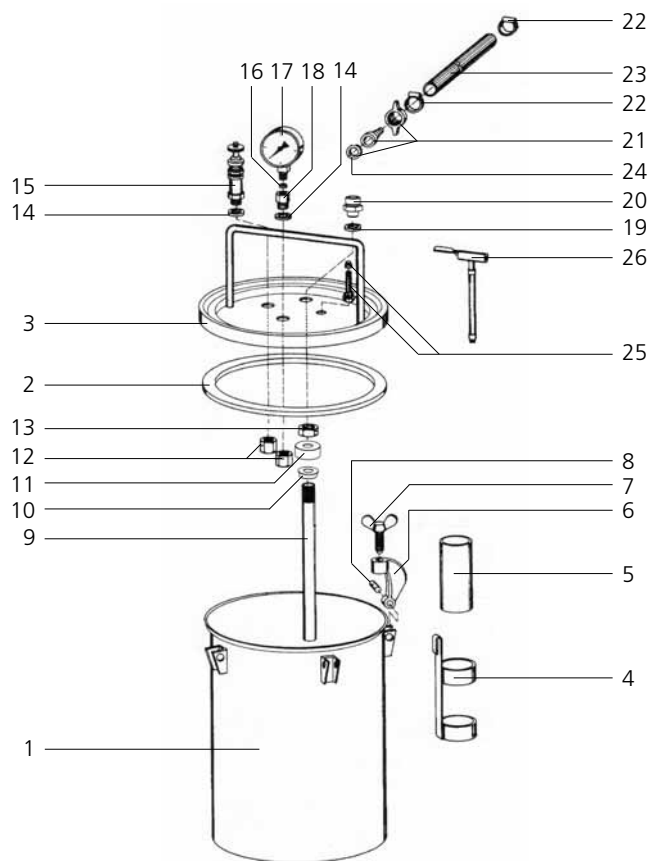
Pos.	Description		Art. No.
2	Holder	Holder	55 2101
3	Holder pointer shaft	Holder pointer shaft	55 2102
4	Adjustment angle	Adjustment angle	55 2103
5	Clamping clip	Clamping clip	55 2104
7	Cross clamping piece	Cross clamping piece	55 2105
8	Pointer shaft	Pointer shaft	55 2106
9	Angle	Angle	55 2107
10	Limiting stop 280x60x12	Limiting stop 280x60x12	55 2108
11	Support 280x80x21	Support 280x80x21	55 2109
12	Taper	Taper	55 2110
13	Sleeve	Sleeve	55 2111
14	Shaft Ø 5x100	Shaft Ø 5x100	55 2112
18	Impulsvalve J 3-PK-3	Impulsvalve J 3-PK-3	55 2114
20	Micro ram valve S -3-PK3-B	Micro ram valve S -3-PK3-B	55 2118
21	Rocking lever AL-06-B	Rocking lever AL-06-B	55 2119
22	Lagvalve VZ-3-PK-3	Lagvalve VZ-3-PK-3	55 2116
23	Union joint for hose L-PK-3	Union joint for hose L-PK-3	55 2122
24	Union joint for hose T-PK-3	Union joint for hose T-PK-3	55 2123
25	Union joint for hose Y-PK-3	Union joint for hose Y-PK-3	55 2124
26	Hose PU-3, blue	Hose PU-3, blue	55 2243
27	Compression spring 31x7,9x0,63	Compression spring 31x7,9x0,63	55 2128
28	Compression spring 13x7,9x0,63	Compression spring 13x7,9x0,63	55 2129
29	Clamping lever M6x25	Clamping lever M6x25	55 2131
30	Clamping lever M6x30	Clamping lever M6x30	55 2132
31	T-Slot nub M6	T-Slot nub M6	55 2133
32	Washer 6,4/12x1,6	Washer 6,4/12x1,6	55 2138
33	Washer 4,3/9x0,8	Washer 4,3/9x0,8	55 2136
34	Washer 6,4/12x1,6	Washer 6,4/12x1,6	55 2138
35	Washer 6,4/17x3	Washer 6,4/17x3	55 2137
37	Hexagonal nut M3 A2	Hexagonal nut M3 A2	55 4067
38	Locking nut M3 A2	Locking nut M3 A2	55 4072
39	Locking nut M6	Locking nut M6	55 4073
40	Cylindrical screw M3x25 A2	Cylindrical screw M3x25 A2	55 4022
41	Zylinderschraube M4x60	Cylindrical screw M4x60	55 4030
42	Countersunk screw M6x25	Countersunk screw M6x25	55 4019
43	Countersunk screw M6x35	Countersunk screw M6x35	55 4020
44	Cylindrical screw M6x16	Cylindrical screw M6x16	55 4035
45	Cylindrical screw M6x25	Cylindrical screw M6x25	55 4038
46	Cylindrical screw M6x30	Cylindrical screw M6x30	55 4039
47	Screwed pin M6x6	Screwed pin M6x6	55 4053
48	Skirled screw M5x10	Skirled screw M5x10	55 4062
50	Receptacle 150x150x46	Receptacle 150x150x46	55 2100



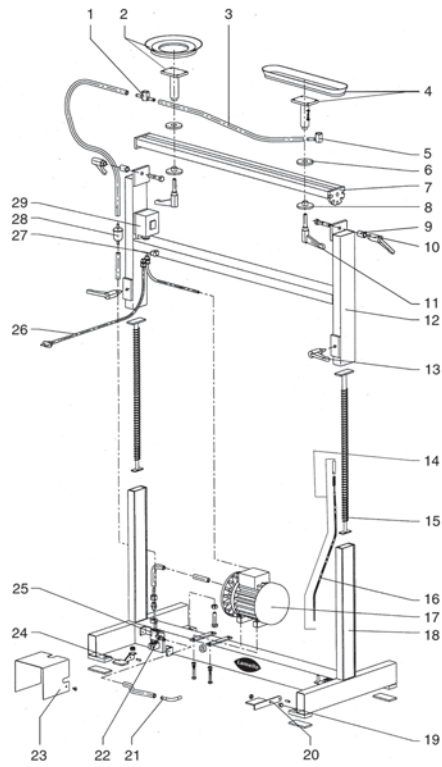
Pos.	Description	Art. No.
1	Limiting stop	58 2221
2	Screw Pan-Head M4x16	55 4088
3	Hexagonal nut M4	55 4068
4	Cover	55 2224
5	Screw Pan-Head M4x30	55 4089
6	Handle	58 2220
7	Spacing collar	55 2225
8	Micro ram valve S-3-PK-3-B	55 2118
9	Screw Pan-Head M3x16	55 4085
10	Hexagonal nut M3	55 4067
11	Hose PU-3	55 2243
12	Cable clamp 2,5x100	55 2242
13	Union joint for hose Y-PK-3	55 2124
14	Housing	55 2226
15	Nipple CN G[!]" PK-3	55 2227
16	Wheel Ø 24/13x2,5	55 2228
17	Hose joint ¼" - [!]"	55 2229
18	Lagvalve VZO-3-PK-3	55 2256
19	Screw Pan-Head M4x30	55 4089

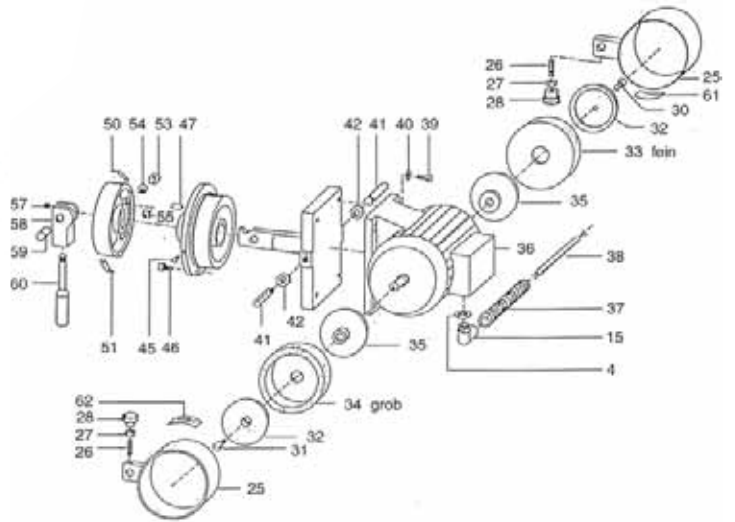
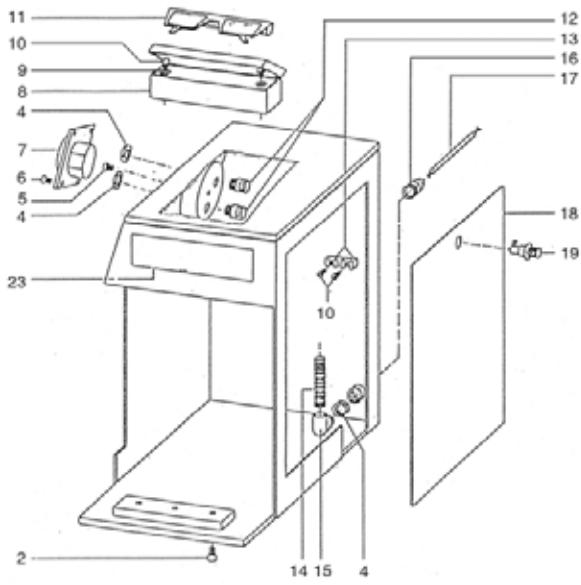


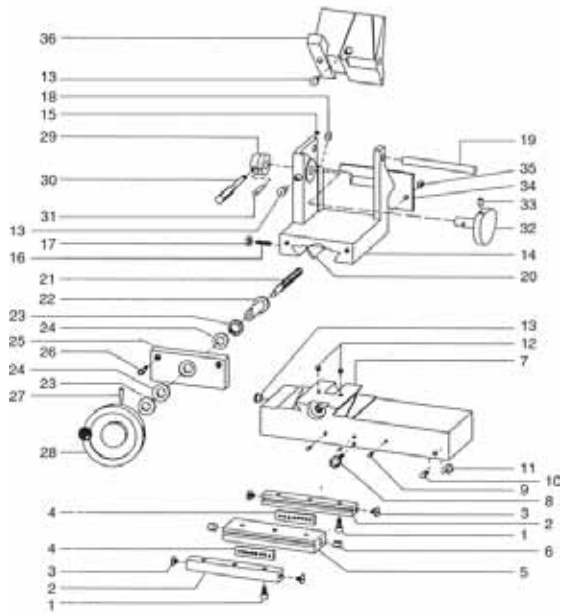
Pos.	Description	Art. No.
3, 4, 5	Set of joint PUR	55 2235
1, 2, 3, 4, 5, 7, 8	Set of repair PUR	55 2236
1	Pin	55 2201
2	Pistol head PUR, opening 5 mm	55 2239
3	Joint	55 2203
4	Sealing ring PUR 5,28 x 1,78 mm	55 2250
5	Sealing ring PUR 26 x 2 mm	55 2251
6	Housing	55 2206
7	Needle PUR, shortened	55 2240
8	Locking disk 4	55 2208
9	Compression spring 40 x 10 x 1,7	55 2209
10	Plate	55 2210
11	Metering nut PUR	55 2248
12	Locking disk 2,3	55 2212
13	Bolt	55 2213
14	Lever	55 2214

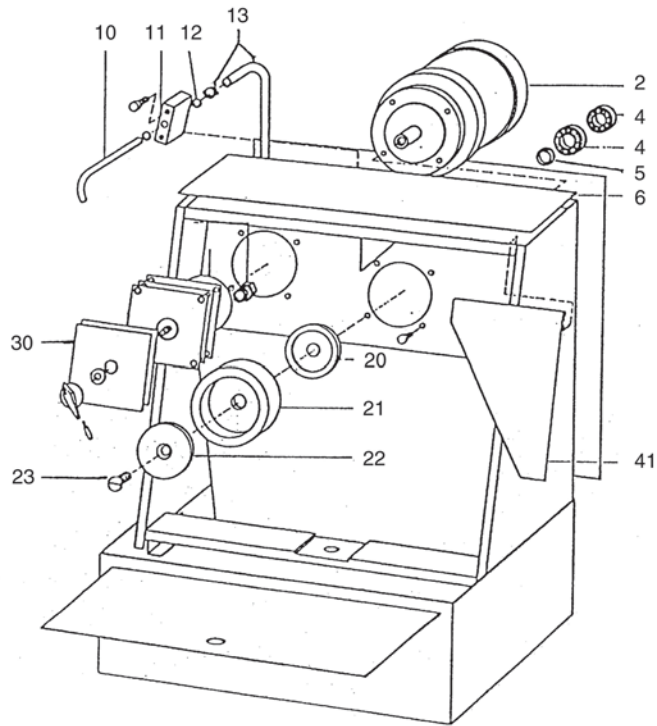


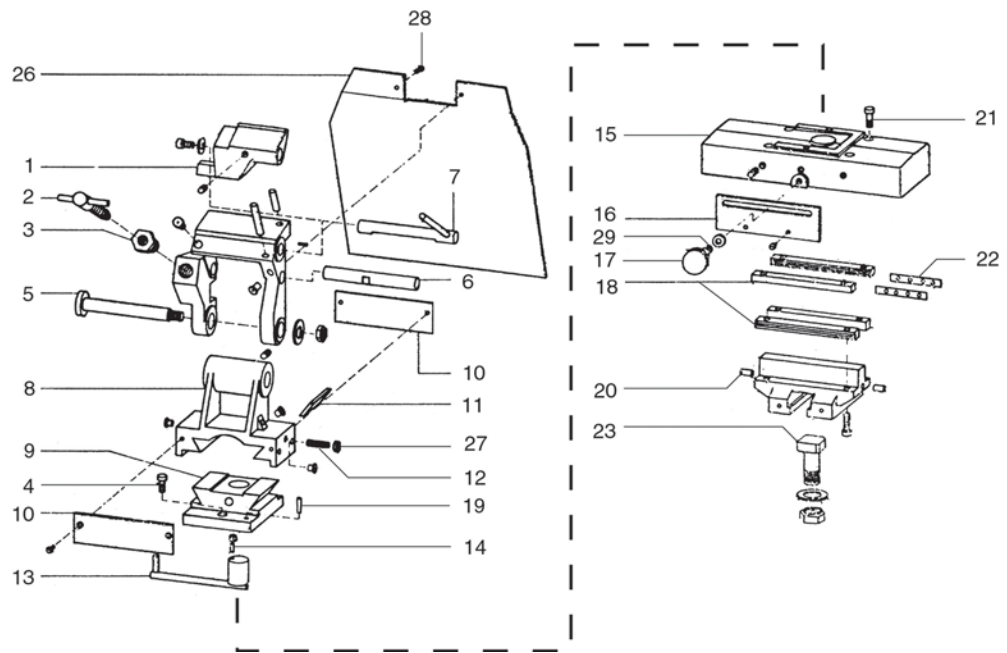
Pos.	Description	Art. No.
12, 14, 15	Safety valve complete	55 2002
12, 14, 16, 17, 18	Manometer complete	55 2003
2, 3, 9 – 20, 25	Cover complete	55 2001
21 – 23	Water reservoir complete	53 3260
1	Pressure tank	55 2010
2	Joint ring 190/210x7	55 2012
3	Cover	55 2011
4	Water reservoir holder	55 2024
5	Bottle Ø 62/60	55 2025
6	Clamping clip	55 2026
7	Thumb screw	55 2027
8	Slotted pin	55 2028
9	Lifting tube bent LK 5 PUR	55 2084
10	Seal for LK 5 PUR	58 2030
11	Nut for LK 5 PUR	58 2031
12	Counter nut SW 19	55 2022
13	Hexagonal nut 3/8"	55 2021
14	Joint Ø 13/19x2	55 2052
15	Safety valve 5 bar	55 2013
16	Joint Ø 13/19x2	55 2050
17	Manometer	55 2015
18	Manometer connection	55 2016
19	Joint Ø 17/25x2.2	55 2053
21	Hose connection ½" x 13 mm	55 3273
22	Hose clip	55 2020
23	Standard hose per metre Ø 13 mm PUR black	55 3277
24	Joint Ø 11/18x2	55 2054
25	Rubber valve	55 2017
26	Pump hose	55 2029

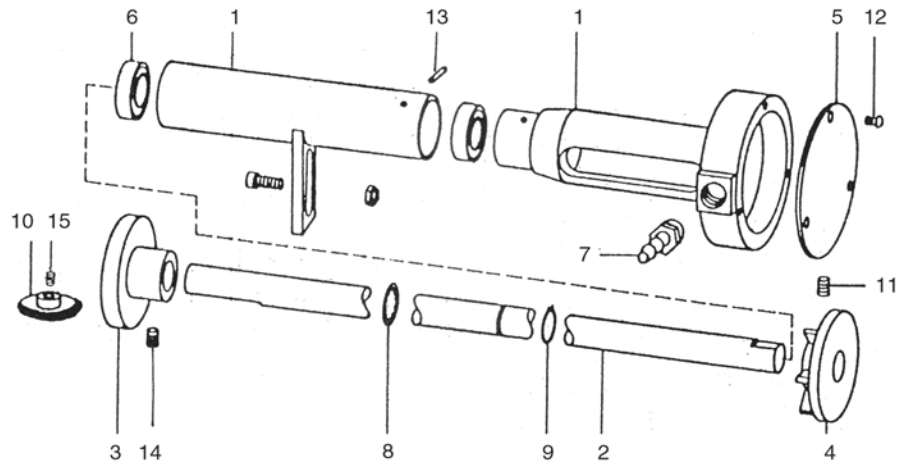


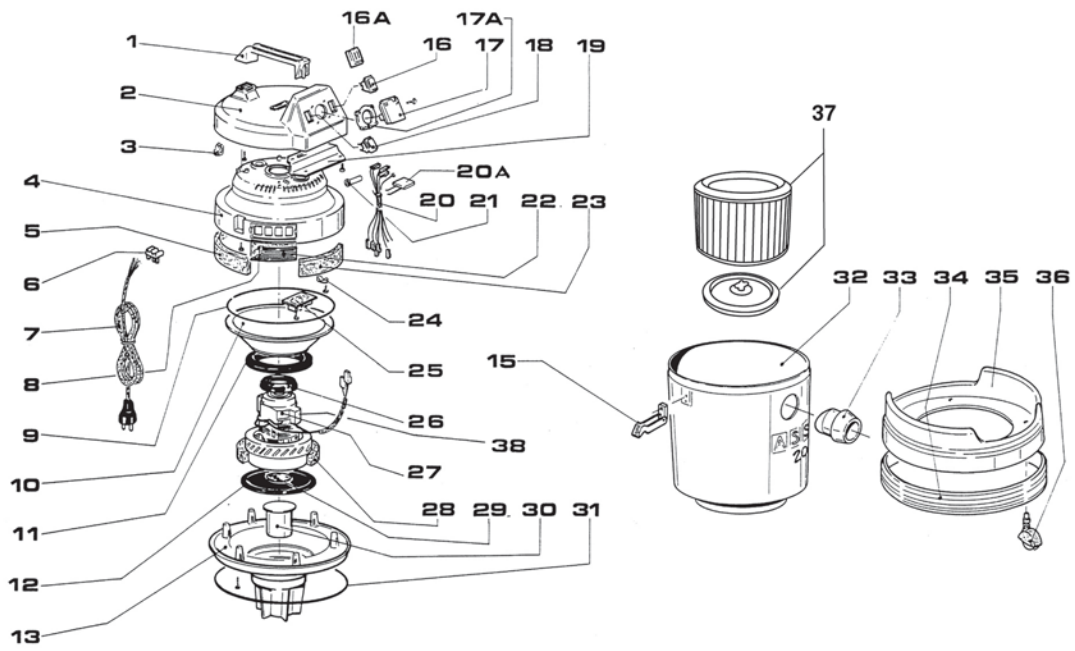
















Swiss made

Lamello AG
Joining technology
Hauptstrasse 149
CH-4416 Bubendorf

Tel. +41 (0)61 935 36 36
Fax +41 (0)61 935 36 06
info@lamello.com
www.lamello.com